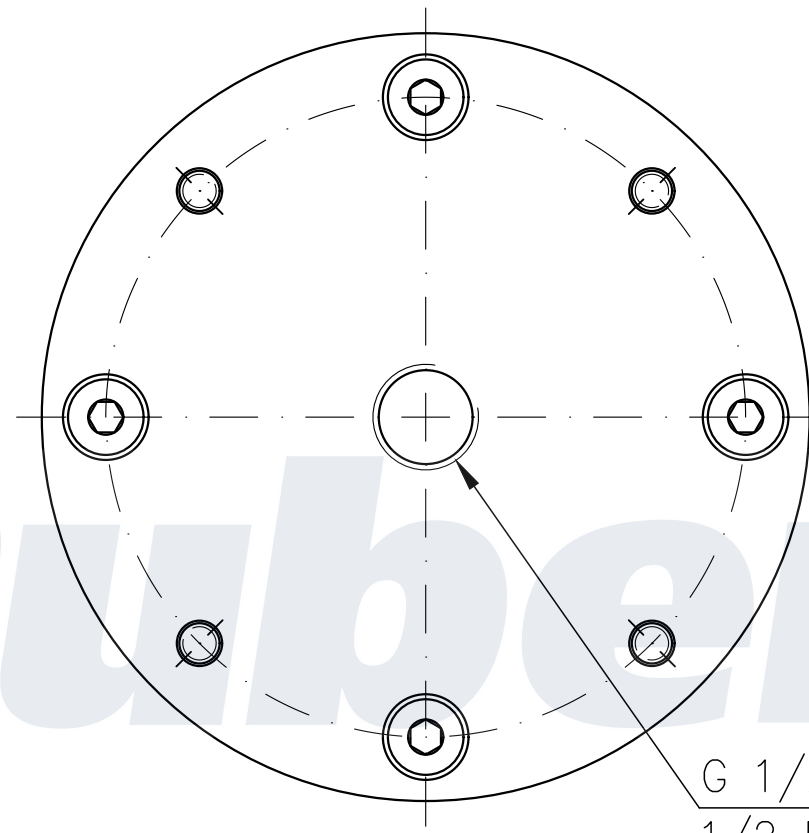
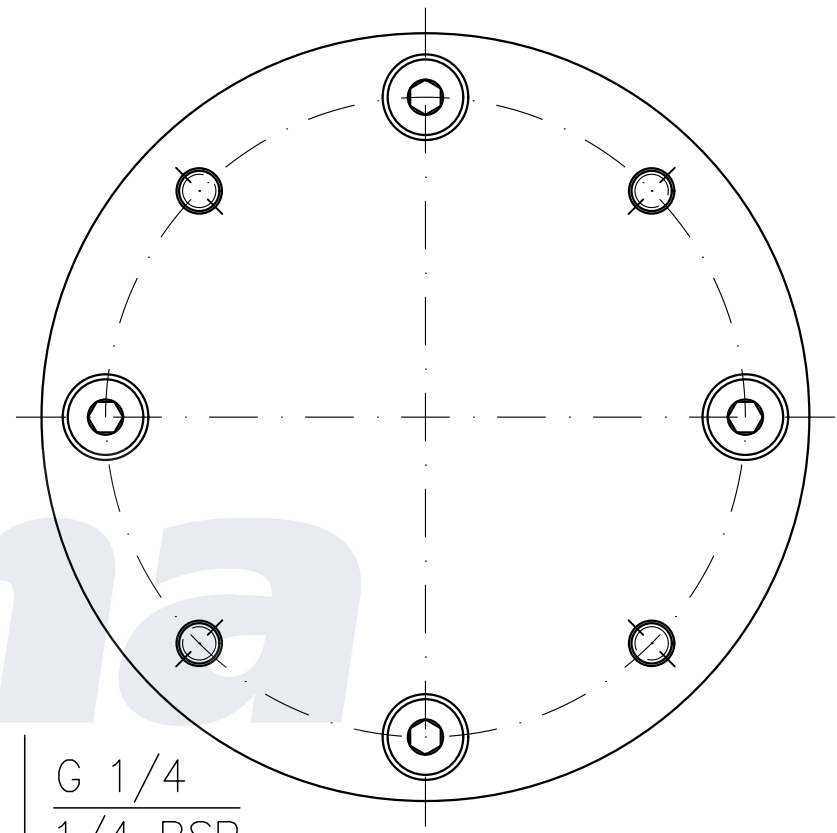


TOP VIEW



G 1/2
 1/2 BSP
 AIR INLET

BOTTOM VIEW



G 1/4
 1/4 BSP
 AIR INLET