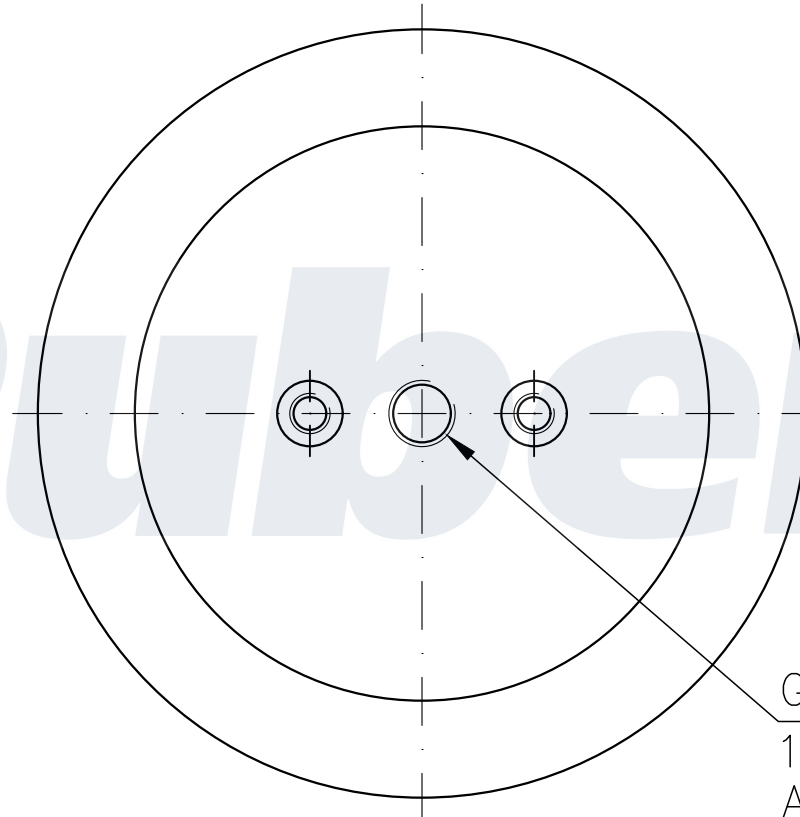
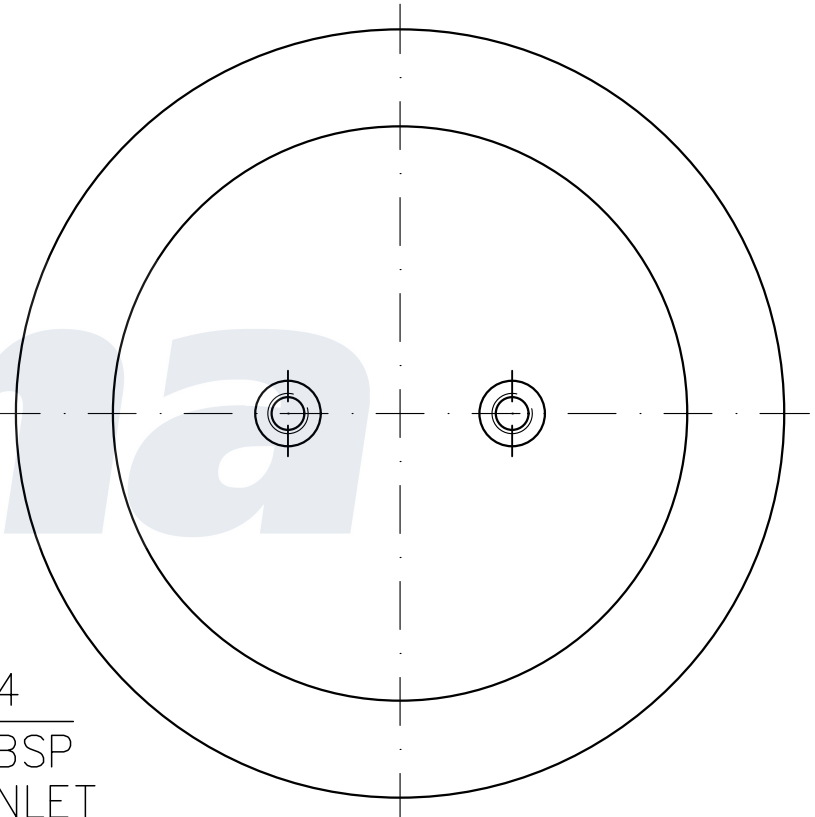


TOP VIEW



BOTTOM VIEW



G 1/4  
 1/4 BSP  
 AIR INLET