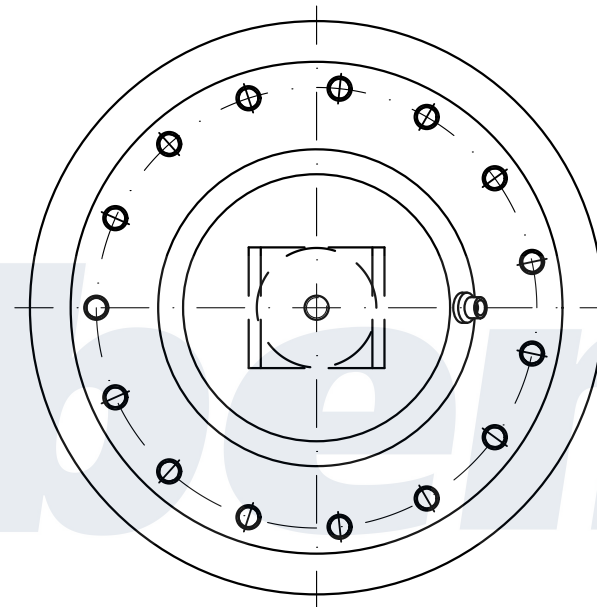


TOP VIEW  
(1:2)



BOTTOM VIEW  
(1:2)

