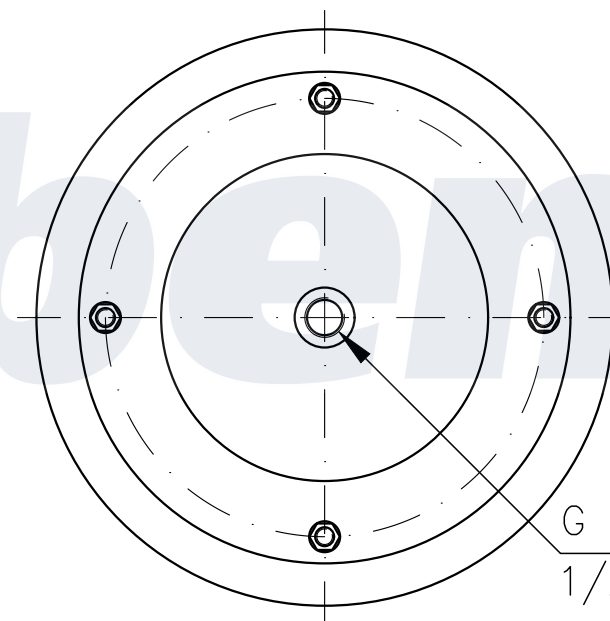
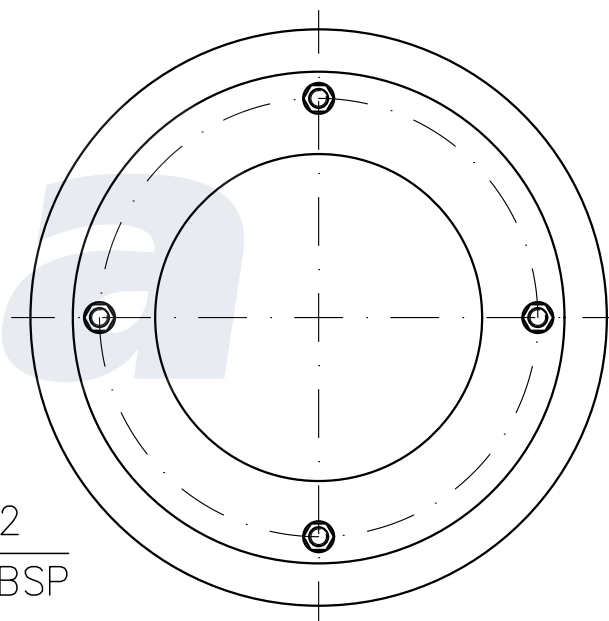


TOP VIEW
(1:2)



BOTTOM VIEW
(1:2)



G 1/2
 1/2 BSP
 AIR INLET